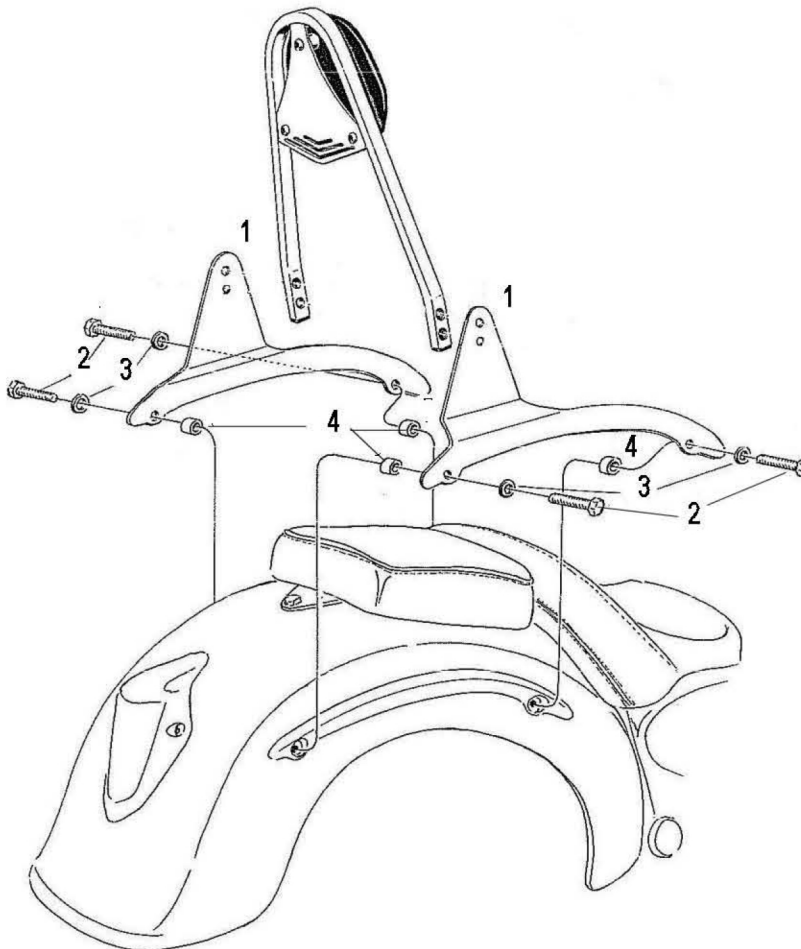
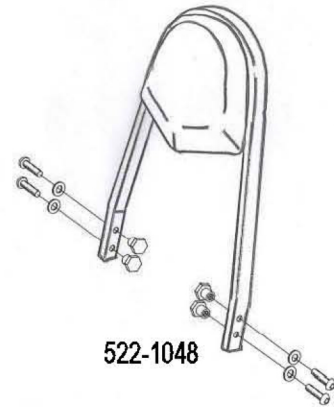
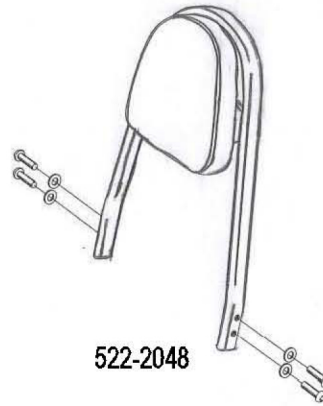
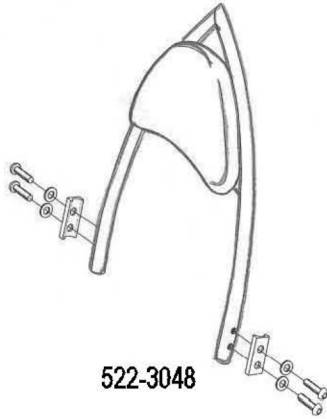


HIGHWAY HAWK
passion for chrome

Sissybar

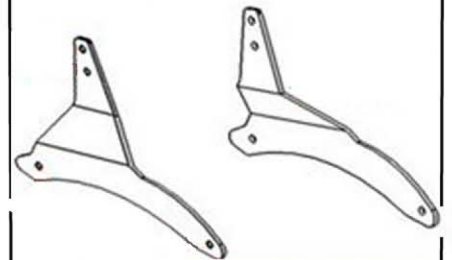
Yamaha XVS 1900

Art.no. 522-1048A



Components

1.	Side bracket	2x
2.	Bolt M8x 55	4x
3.	Washer M8	4x
4.	Spacer Ø20 x 15	4x



Model for Yamaha XV 1900

© Motorrad Burchard GmbH advises installation by a professional mechanic.
 We do not accept responsibility for improper installation.

© Motorrad Burchard GmbH
 Lemgo – Germany