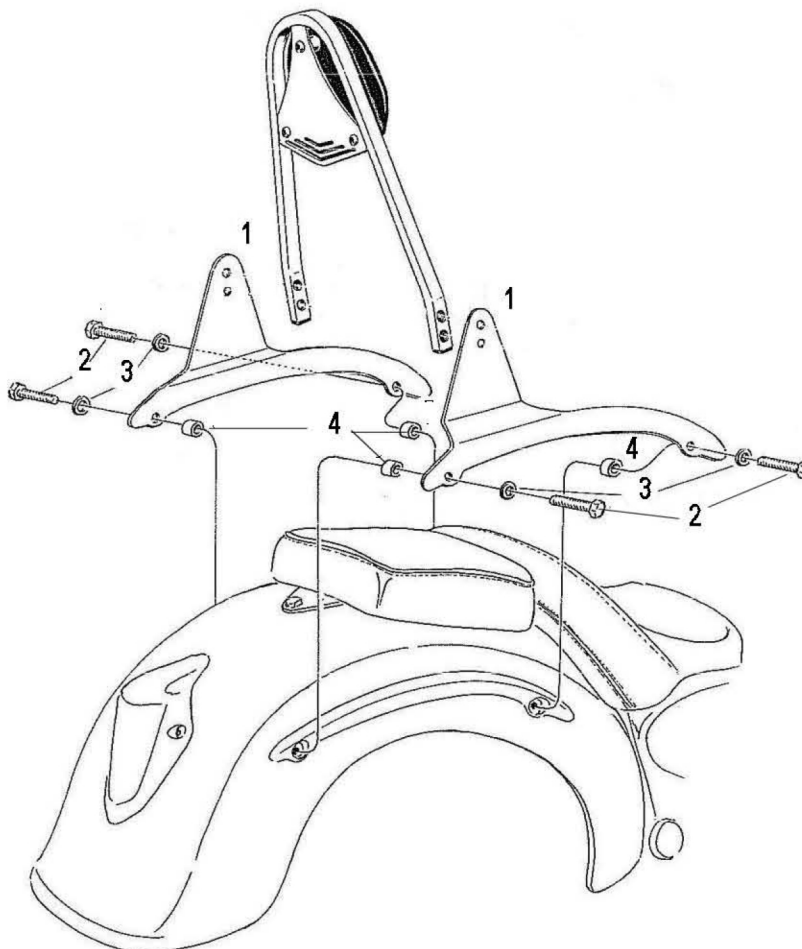
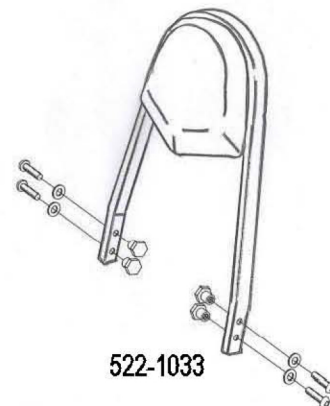
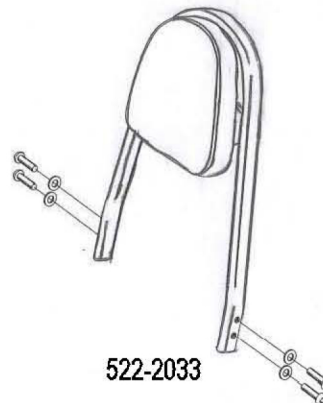
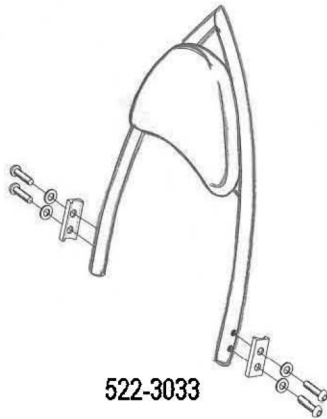


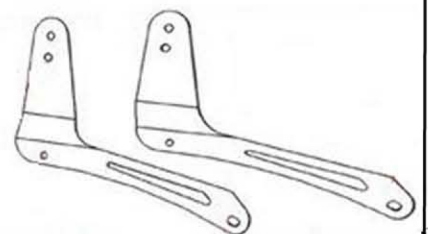
**HIGHWAY HAWK**  
*passion for chrome*

**Sissybar**  
**Yamaha XVS 1300A**  
Art.no. 522-1033A



**Components**

1.	Side bracket	2x
2.	Bolt M8x 55	4x
3.	Washer M8	4x
4.	Spacer Ø18 x 16	4x



Model for Yamaha XVS 1300A

© Motorrad Burchard GmbH advises installation by a professional mechanic.  
 We do not accept responsibility for improper installation.

© Motorrad Burchard GmbH  
 Lemgo – Germany