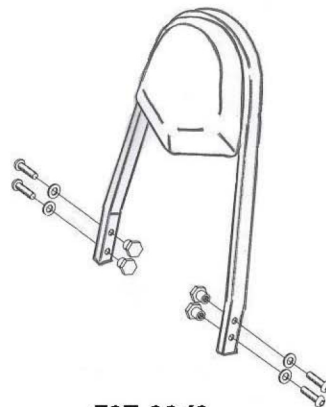


527-1043



527-2043

Components

1	Side brackets	2x
---	---------------	----

