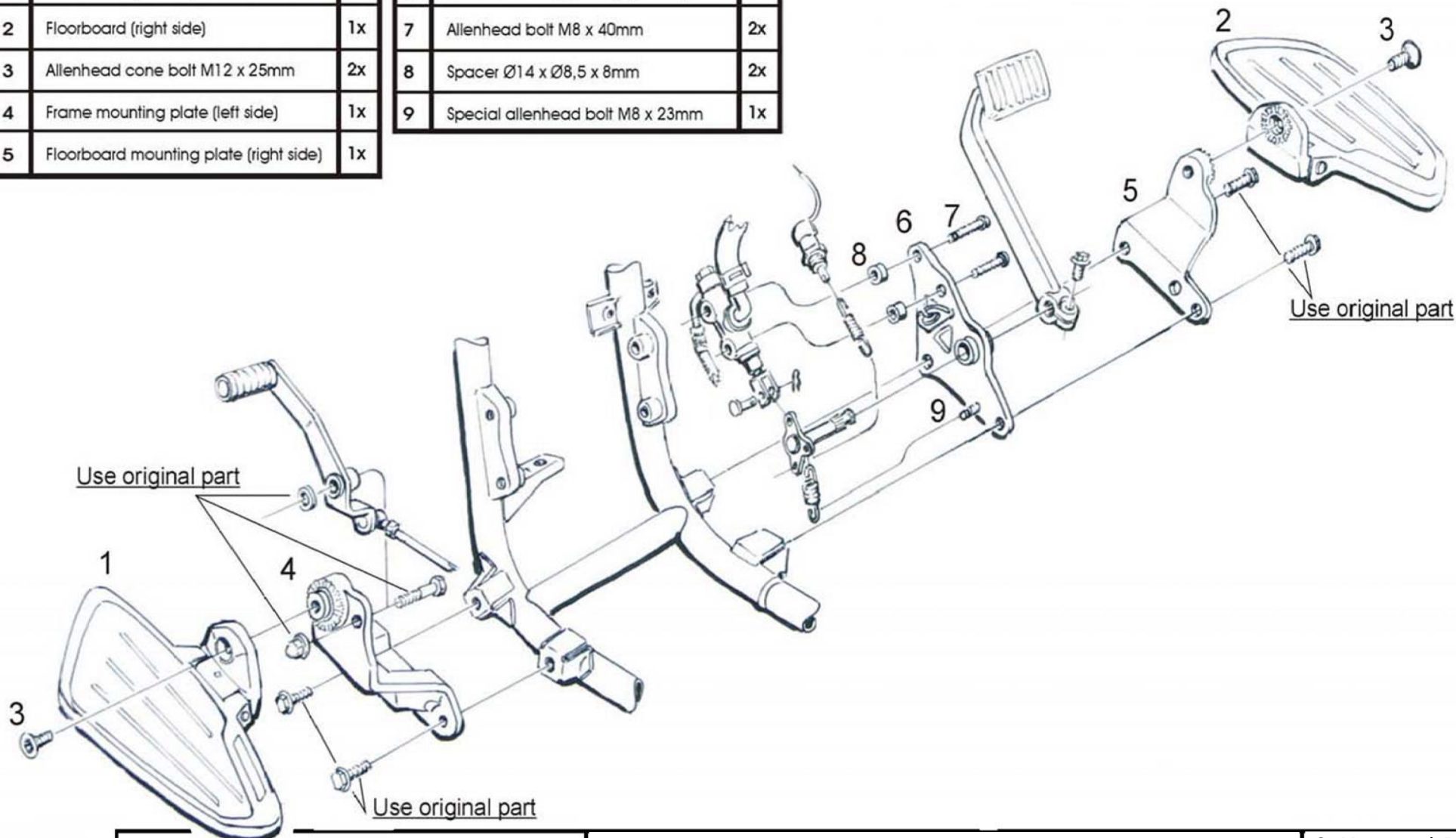


Components

1	Floorboard (left side)	1x	6	Frame mounting plate (right side)	1x
2	Floorboard (right side)	1x	7	Allenhead bolt M8 x 40mm	2x
3	Allenhead cone bolt M12 x 25mm	2x	8	Spacer Ø14 x Ø8,5 x 8mm	2x
4	Frame mounting plate (left side)	1x	9	Special allenhead bolt M8 x 23mm	1x
5	Floorboard mounting plate (right side)	1x			



Please check all fixings and mounting points before assembly as listed on the mounting instruction sheet.

© Motorrad Burchard GmbH advises installation by a professional mechanic. We do not accept responsibility for improper installation.

© Motorrad Burchard GmbH
Lemgo – Germany