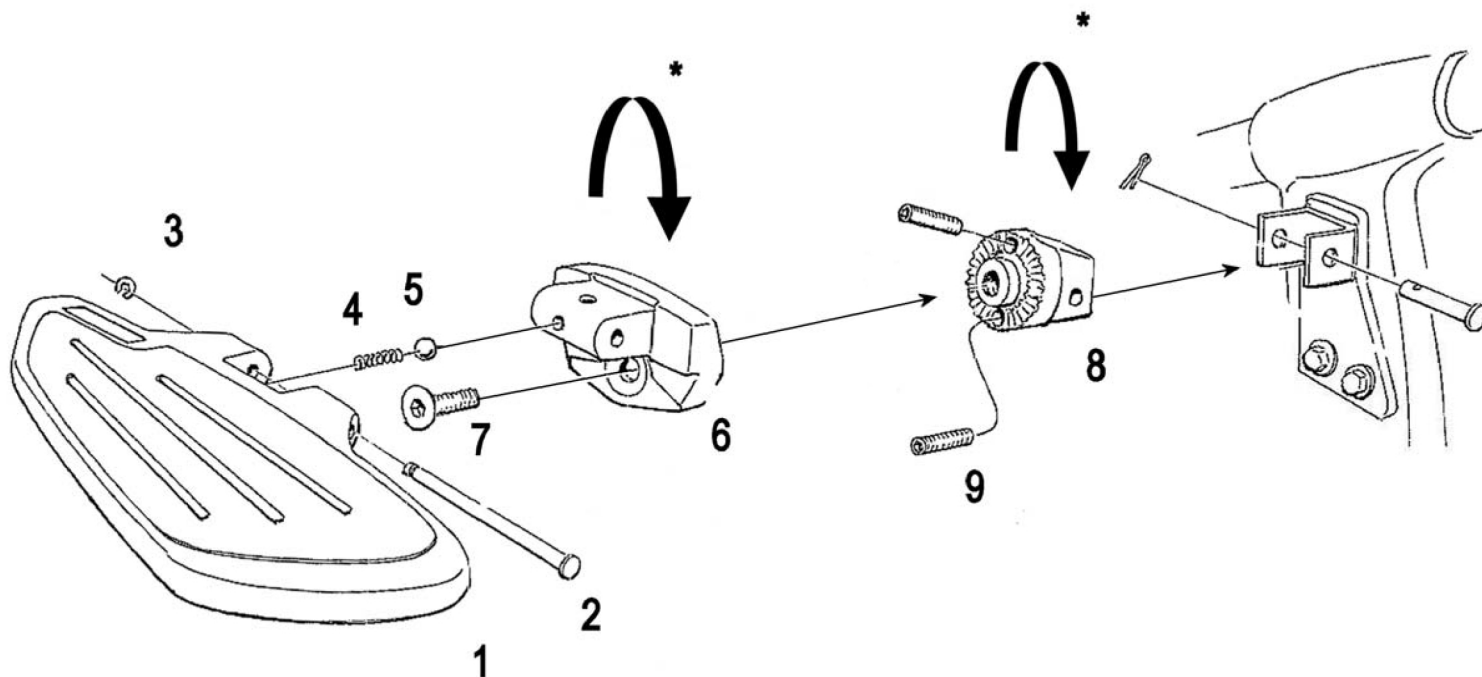


Components

1	Floorboard	2x
2	Axle pin Ø 6mm	2x
3	Axle pin clamp	2x
4	Spring Ø6 x 20mm	2x
5	Ball Ø 6.4 mm	2x
6	Mounting block	2x
7	Bolt M12 x 25mm	2x
8	Connection block	2x
9	Fixation bolt M6 x 15mm	4x



*** Turn for differant hight**

Please check all fixings and mounting points before assembly as listed on the mounting instruction sheet.

© Motorrad Burchard GmbH advises installation by a professional mechanic. We do not accept responsibility for improper installation.

© Motorrad Burchard GmbH
Lemgo – Germany